



## Military Grade Intelligent Pan Tilt Camera Ultra Long Range 20KM



### Product features

- ▶ Double pitch worm gear transmission structure, electronic anti shake and mechanical anti loose design,
- ▶ Power off self-locking, strong wind resistance, high stability;
- ▶ Support multiple lens preset setting function, variable multiple adaptive, rotation speed can be adjusted automatically according to lens variable multiple and multiple;
- ▶ The maximum load of PTZ is 70kg;
- ▶ The worm gear has large transmission ratio design, and the horizontal rotation speed can be as high as 60°/S;
- ▶ The accuracy of repeated positioning is high, up to + - 0.05;
- ▶ Built in image enhancement and intelligent image analysis and tracking function.
- ▶ Support 3D positioning function, tracking and zooming can be realized .
- ▶ Support power-off memory function, and automatically return to the monitoring scene before power failure after power on;
- ▶ The whole machine adopts anti-corrosion materials, three prevention treatment, all-weather protection design and IP66 protection level, which can adapt to the application of salt fog video monitoring environment such as maritime and coastal defense.

### Product application

It can be widely used in places where high-definition image quality monitoring is needed. Such as: coastal defense, maritime and other salt fog video monitoring environment.



广场



车站



城市制高点



边防



边防



航道港口



森林防火



高速公路



## Product parameters

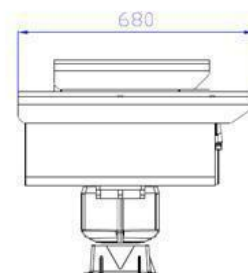
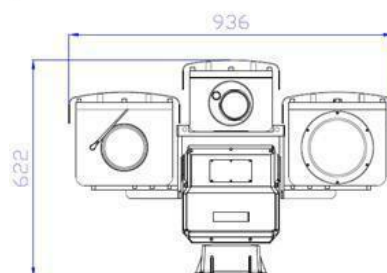
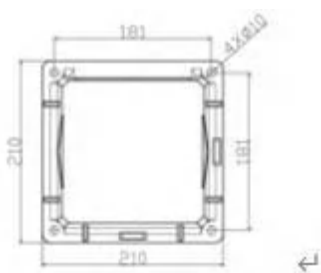
Visible imaging	Visible light lens	Focal length: 10 ~ 800mm
	Visible light sensor	Imaging device: 1 / 1.9 "CMOS, minimum illumination: Color: 0.01LUX @ (f1.6, AGC on);Black and white: 0.0005 lux @ (f1.6, AGC on)
	video compression	H. 264 / mpeg4 / MJPEG video format with dual bitstreams
	Visible light imaging function	Support SD card local storage (up to 128G), support regional intrusion, cross-border intrusion, support electronic fog penetration, optical fog penetration, automatic white balance, backlight compensation, strong light suppression, ultra wide dynamic, electronic anti shake, 3D digital noise reduction, anti infrared overexposure, optical anti shake
laser ranging	coverage	The visibility is 20KM-25KM, the relative humidity is 40%-80%, and the minimum distance measurement is not more than 100M
	Ranging accuracy	+3m (RMS)
	Quasi-measurement rate	98%
	Laser wavelength	1.54+-1um
thermal imaging	sensor	Alumen oxide detector for refrigeration focal plane
	Maximum imaging size	640*512
	Pixel	17um
	focal distance	30-660mm
protective cover	view-finder	Integrated three-window design, infrared high-efficiency anti-reflection optical glass, transmittance > 98%
	windshield	Support, using automobile wiper blade, good weather resistance and convenient replacement
	Automatic temperature control	Built-in heating, cooling and other temperature control elements, automatic opening and closing, built-in defogging system
	Vertical range	+60°~-60°

## Hd multispectral intelligent pan/tilt camera

Pan-Tilt	horizontal extent	Horizontal 360 continuous rotation
	Horizontal velocity	0.01~60°/S
	Vertical velocity	0.01~30°/S
	Number of preset points	200 pieces
	Repeated positioning accuracy	±0.05
	Cruise scan	support
	Scan mode	Cruise Scan/Auto Scan
	3D function	Support (optional)
	Angle return	Support angle inquiry function (optional real-time angle return)
	RS485 control interface	Support Pelco-D protocol
system parameter	supply electricity	Dc 48 v 10%, power consumption < 300W
	port	1 10M/100M adaptive Ethernet port, 1 DC48V,RS485
	environmental index	Working temperature: -35°C~+65°C, Humidity: < 90%RH, Lightning surge protection: it meets GB/T17626.5 Level 4 standard for power supply ports and Level 3 standard for other ports; Power supply 6000V (line to ground 6000V, line to line 3000V); Communication video signal 2000V (line to ground 2000V, line to line 1000V); Salt spray prevention: at PH 6.5~7.2, spraying continuously for 48 hours, the surface has no change Protection grade: IP66

## product size

Overall dimensions: (L)680MM\*(W)936MM,\*622MM



---

# HD Multispectra Intelligent Pan Tilt Camera

## Long Rang 10KM



### Product features

- The pan tilt adopts double pitch worm gear transmission structure, electronic anti shake and mechanical anti loosening design. The pan tilt supports power-off self-locking, strong wind resistance and high stability;
- Horizontal 360°Continuous rotation, vertical direction + 60°~--sixty°Rotation;
- The maximum horizontal speed is 30°/s. Vertical speed up to 15°/s;
- The maximum load of PTZ is 50kg;
- Built in image enhancement and intelligent image analysis functions.It can support electronic fog penetration, automatic white balance, backlight compensation, strong light suppression, ultra wide dynamic, electronic anti shake, 3D digital noise reduction, anti infrared overexposure;
- **Support infrared continuous fire source monitoring;**
- Support ultra-low illumination, color: 0.002 lux @ (f1.4, AGC on);Black and white: 0.0002 lux @ (f1.4, AGC on);
- Support 3D positioning function, click tracking and zooming can be realized through client ;
- Support power-off memory function, and automatically return to the monitoring scene before power failure after power on;
- Support watch function, preset point / Cruise scanning can be automatically called after staying in idle state for a specified time (including idle state entered after power on);
- Support network remote upgrade;
- The whole machine adopts anti-corrosion materials, three prevention treatment, all-weather protection design and IP66 protection level, which can adapt to the application of salt fog video monitoring environment such as maritime and coastal defense.

### Product application

It can be widely used in places where high-definition image quality monitoring is needed.Such as: coastal defense, rivers, forests, straw burning, highway, railway, airport, port, sentry, square, station, etc.



广场



车站



城市制高点



边防



边防



航道港口



森林防火



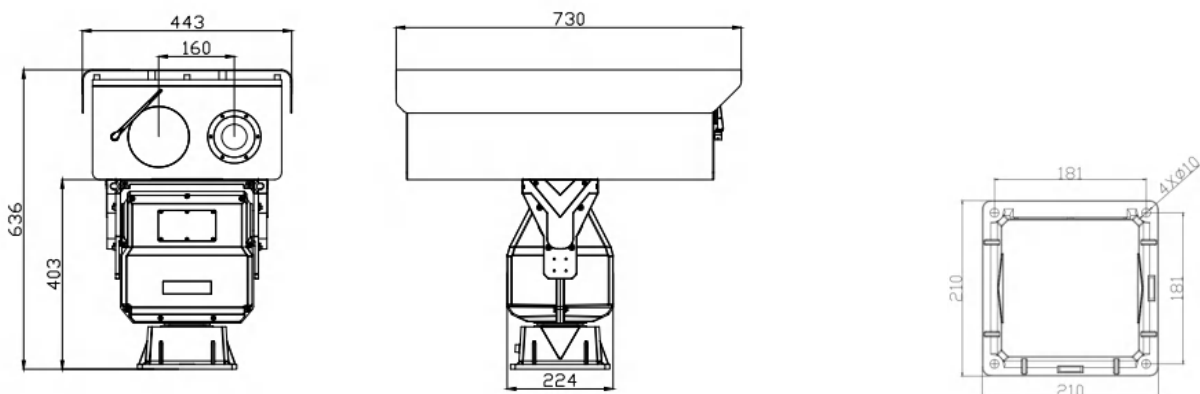
高速公路

## Product parameters

Visible imaging	Visible light lens	Focal length: 20 ~ 800mm, magnification: 40 times optical zoom, resolution: 2 million pixels
	Visible light sensor	Imaging device: 1 / 1.8 "CMOS, minimum illumination: Color: 0.005lux @ (f1.4, AGC on);Black and white: 0.0005 lux @ (f1.4, AGC on)
	video compression	H. 264 / 265 / mpeg4 / MJPEG video format with dual bitstreams
	Visible light imaging function	Support SD card local storage (maximum 64G), support electronic fog penetration, optical fog penetration, automatic white balance, backlight compensation, strong light suppression, ultra-wide dynamic, electronic image stabilization, 3D digital noise reduction, infrared overexposure prevention, optical image stabilization
thermal imaging	Detector type	Vanadium oxide infrared microbolometer
	Resolution/cell spacing	384×288/17um
	focal distance	150mm
	sensibility	≤40mk @ 300K.F1
	frame frequency	25Hz
	Response band	8-14um
	palette	Eleven color palettes are available (including iron red, rainbow, black and white, etc.), and the color standard can be customized
	Digital zoom	1~8 times continuous electron magnification
	Detection distance (m)	(person: 1.8m*0.5m car: 1.4m*4.0m) Probe vehicle: 13529, probe person: 4412 Identification car: 3382 Identification person: 1103 Identification car: 1691, identification person: 551
	<b>Digital early warning</b>	<b>Support infrared continuous fire source monitoring</b>
Early warning mode	Support equipment front-end alarm switch value alarm	
support	Standard video server alarm input format	
protective cover	view-finder	Integrated three-window design, infrared high-efficiency anti-reflection optical glass, transmittance > 98%
	windshield	Support, using automobile wiper blade, good weather resistance and convenient replacement
	Automatic temperature control	Built-in heating, cooling and other temperature control elements, automatically open and close
Pan-Tilt	Vertical range	+60°~-60°
	horizontal extent	Horizontal 360 continuous rotation

	Horizontal velocity	0.01~30°/S
	Vertical velocity	0.01~15°/S
	Number of preset points	256 pieces
	Repeated positioning accuracy	±0.1
	Cruise scan	support
	Scan mode	Cruise Scan/Auto Scan
	3D function	Support (optional)
	Angle return	Support angle inquiry function (optional real-time angle return)
	RS485 control interface	Support Pelco-D protocol
system parameter	supply electricity	Dc 48 v 10%, power consumption < 200W
	port	1 10M/100M adaptive Ethernet port, 1 DC48V port
	environmental index	Working temperature: -40°C~+70°C, Humidity: < 90%RH, Lightning surge protection: it meets GB/T17626.5 Level 4 standard for power supply ports and Level 3 standard for other ports; Power supply 6000V (line to ground 6000V, line to line 3000V); Communication video signal 2000V (line to ground 2000V, line to line 1000V); Salt spray prevention: at PH 6.5~7.2, spraying continuously for 48 hours, the surface has no change Protection grade: IP66

## product size



Whole machine size (unit: mm) base size (unit: mm)

---

# HD Multispectra Intelligent Pan Tilt Camera 5 K M



## Product features

- The pan tilt adopts double pitch worm gear transmission structure, electronic anti shake and mechanical anti loosening design. The pan tilt supports power-off self-locking, strong wind resistance and high stability;
- Horizontal 360°Continuous rotation, vertical direction + 60°~sixty°Rotation;
- The maximum horizontal speed is 30°/s. Vertical speed up to 15°/s;
- The maximum load on one side of PTZ is 10kg;
- Built in image enhancement and intelligent image analysis functions.It can support electronic fog penetration, automatic white balance, backlight compensation, strong light suppression, ultra wide dynamic, electronic anti shake, 3D digital noise reduction, anti infrared overexposure;
- **Support infrared continuous fire source monitoring;**
- Support ultra-low illumination, color: 0.005 lux @ (f1.4, AGC on);Black and white: 0.0005 lux @ (f1.4, AGC on);
- Support 3D positioning function, click tracking and zooming can be realized through client / ie;
- Support power-off memory function, and automatically return to the monitoring scene before power failure after power on;
- Support watch function, preset point / Cruise scanning can be automatically called after staying in idle state for a specified time (including idle state entered after power on);
- Support network remote upgrade;
- The whole machine adopts anti-corrosion materials, three prevention treatment, all-weather protection design and IP66 protection level, which can adapt to the application of salt fog video monitoring environment such as maritime and coastal defense.

## Product application

It can be widely used in places where high-definition image quality monitoring is needed.Such as: coastal defense, rivers, forests, straw burning, highway, railway, airport, port, sentry, square, station, etc.



广场



车站



城市制高点



边防



边防



航道港口



森林防火



高速公路

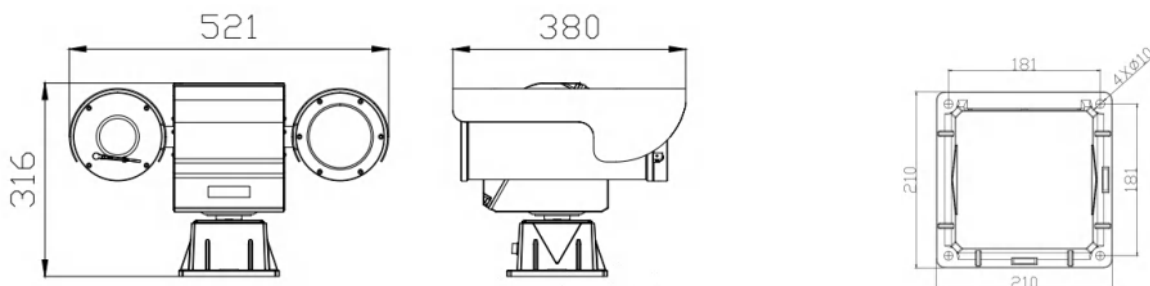
## Product parameters

Visible imaging	Visible light lens	Focal length: 7 ~ 322mm, magnification: 46 times optical zoom, resolution: 2 million pixels
	Visible light sensor	Imaging device: 1 / 2.8 "CMOS Minimum illumination: Color: 0.005lux @ (f1.4, AGC on);Black and white: 0.0005 lux @ (f1.4, AGC on)
	video compression	H. 264 / mpeg4 / MJPEG video format with dual bitstreams
	Visible light imaging function	Support SD card local storage (maximum 64G), support electronic fog penetration, optical fog penetration, automatic white balance, backlight compensation, strong light suppression, ultra-wide dynamic, electronic anti-shake, 3D digital noise reduction, anti-infrared overexposure
thermal imaging	Detector type	Vanadium oxide infrared microbolometer
	Resolution/cell spacing	384×288/17um
	focal distance	100mm
	sensibility	≤40mk @ 300K.F1
	frame frequency	25Hz
	Response band	8-14um
	palette	Eleven color palettes are available (including iron red, rainbow, black and white, etc.), and the color standard can be customized
	Digital zoom	1~8 times continuous electron magnification
	Detection distance (m)	(person: 1.8m*0.5m car: 1.4m*4.0m) Probe vehicle: 9020, probe person: 2941 Identification car: 2255 Identification person: 735 Identification car: 1127 Identification person: 368
	<b>Digital early warning</b>	<b>Support infrared continuous fire source monitoring</b>
	Early warning mode	Support equipment front-end alarm switch value alarm
support	Standard video server alarm input format	
protective cover	view-finder	Integrated three-window design, infrared high-efficiency anti-reflection optical glass, transmittance > 98%
	windshield	Support, using automobile wiper blade, good weather resistance and convenient replacement



	Automatic temperature control	Built-in heating, cooling and other temperature control elements, automatically open and close
Pan-Tilt	Vertical range	+60°~-60°
	horizontal extent	Horizontal 360 continuous rotation
	Horizontal velocity	0.01~30°/S
	Vertical velocity	0.01~15°/S
	Number of preset points	256 pieces
	Repeated positioning accuracy	±0.1
	Cruise scan	support
	Scan mode	Cruise Scan/Auto Scan
	3D function	Support (optional)
	Angle return	Support angle inquiry function (optional real-time angle return)
	RS485 control interface	Support Pelco-D protocol
system parameter	supply electricity	Ac24v 20% or dc36v 10%, dc48v 10%, power consumption < 200W
	port	1 10M/100M adaptive Ethernet port, 1 AC/DC36V
	environmental index	Working temperature: -40°C~+70°C, Humidity: < 90%RH, Lightning surge protection: it meets GB/T17626.5 Level 4 standard for power supply ports and Level 3 standard for other ports; Power supply 6000V (line to ground 6000V, line to line 3000V); Communication video signal 2000V (line to ground 2000V, line to line 1000V); Salt spray prevention: at PH 6.5~7.2, spraying continuously for 48 hours, the surface has no change Protection grade: IP66

## product size



---

# HD Multispectra Intelligent Pan Tilt Camera

## 1-3KM



### Product features

- ▶ The pan tilt adopts double pitch worm gear transmission structure, electronic anti shake and mechanical anti loosening design. The pan tilt supports power-off self-locking, strong wind resistance and high stability;
- ▶ Horizontal 360°Continuous rotation, vertical direction + 60°~sixty°Rotation;
- ▶ The maximum horizontal speed is 60°/s. Vertical speed up to 20°/s;
- ▶ The maximum load on one side of PTZ is 10kg;
- ▶ Built in image enhancement and intelligent image analysis functions.It can support electronic fog penetration, automatic white balance, backlight compensation, strong light suppression, ultra wide dynamic, electronic anti shake, 3D digital noise reduction, anti infrared overexposure;
- ▶ **Support infrared continuous fire source monitoring;**
- ▶ Support ultra-low illumination, color: 0.005 lux @ (f1.4, AGC on);Black and white: 0.0005 lux @ (f1.4, AGC on);
- ▶ Support 3D positioning function, click tracking and zooming can be realized through client / ie;
- ▶ Support power-off memory function, and automatically return to the monitoring scene before power failure after power on;
- ▶ Support watch function, preset point / Cruise scanning can be automatically called after staying in idle state for a specified time (including idle state entered after power on);
- ▶ Support network remote upgrade;
- ▶ The whole machine adopts anti-corrosion materials, three prevention treatment, all-weather protection design and IP66 protection level, which can adapt to the application of salt fog video monitoring environment such as maritime and coastal defense.

### Product application

It can be widely used in places where high-definition image quality monitoring is needed.Such as: coastal defense, rivers, forests, straw burning, highway, railway, airport, port, sentry, square, station, etc.



广场



车站



城市制高点



边防



边防



航道港口



森林防火



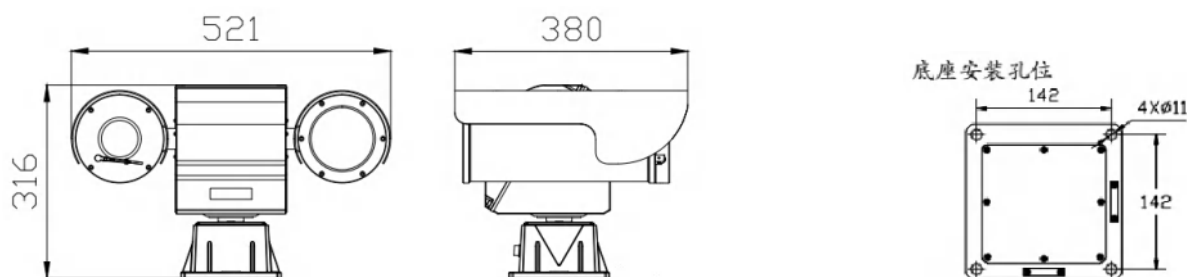
高速公路

## Product parameters

Visible imaging	Visible light lens	Focal length: 7 ~ 322mm, magnification: 46 times optical zoom, resolution: 2 million pixels
	Visible light sensor	Imaging device: 1 / 2.8 "CMOS Minimum illumination: Color: 0.005lux @ (f1.4, AGC on);Black and white: 0.0005 lux @ (f1.4, AGC on)
	video compression	H. 264 / mpeg4 / MJPEG video format with dual bitstreams
	Visible light imaging function	Support SD card local storage (maximum 64G), support electronic fog penetration, optical fog penetration, automatic white balance, backlight compensation, strong light suppression, ultra-wide dynamic, electronic anti-shake, 3D digital noise reduction, anti-infrared overexposure
thermal imaging	Detector type	Vanadium oxide infrared microbolometer
	Resolution/cell spacing	384×288/17um
	focal distance	75mm
	sensibility	≤40mk @ 300K.F1
	frame frequency	25Hz
	Response band	8-14um
	palette	Eleven color palettes are available (including iron red, rainbow, black and white, etc.), and the color standard can be customized
	Digital zoom	1~8 times continuous electron magnification
	Detection distance (m)	(person: 1.8m*0.5m car: 1.4m*4.0m) Probe vehicle: 6765, probe person: 2206 Identification car: 1691 Identification person: 551 Identification car: 846. Identification person: 276
	<b>Digital early warning</b>	<b>Support infrared continuous fire source monitoring</b>
	Early warning mode	Support equipment front-end alarm switch value alarm
support	Standard video server alarm input format	
protective cover	view-finder	Integrated three-window design, infrared high-efficiency anti-reflection optical glass, transmittance > 98%
	windshield	Support, using automobile wiper blade, good weather resistance and convenient replacement
	Automatic temperature control	Built-in heating, cooling and other temperature control elements, automatically open and close

	Vertical range	+60°~-60°
Pan-Tilt	horizontal extent	Horizontal 360 continuous rotation
	Horizontal velocity	0.01~60°/S
	Vertical velocity	0.01~20°/S
	Number of preset points	256 pieces
	Repeated positioning accuracy	±0.1
	Cruise scan	support
	Scan mode	Cruise Scan/Auto Scan
	3D function	Support (optional)
	Angle return	Support angle inquiry function (optional real-time angle return)
	RS485 control interface	Support Pelco-D protocol
system parameter	supply electricity	Ac24v 20% or dc36v 10%, dc48v 10%, power consumption < 200W
	port	1 10M/100M adaptive Ethernet port, 1 AC/DC36V
	environmental index	Working temperature: -40°C~+70°C, Humidity: < 90%RH, Lightning surge protection: it meets GB/T17626.5 Level 4 standard for power supply ports and Level 3 standard for other ports; Power supply 6000V (line to ground 6000V, line to line 3000V); Communication video signal 2000V (line to ground 2000V, line to line 1000V); Salt spray prevention: at PH 6.5~7.2, spraying continuously for 48 hours, the surface has no change Protection grade: IP66

## product size



Whole machine size (unit: mm) base size (unit: mm)

## Other Military Products

